

”Occasional adjustment  
to suit your height”



## FLEXIBASIC

### YOUR KITCHEN WILL REACH NEW HEIGHTS

Manually height adjustable using a lifting unit.  
The lifting unit can be used throughout a development  
with a caretaker or handyman making the adjustment.

Especially suited to sheltered accommodation where  
lots of kitchens are able to have some adjustment built  
in to their design

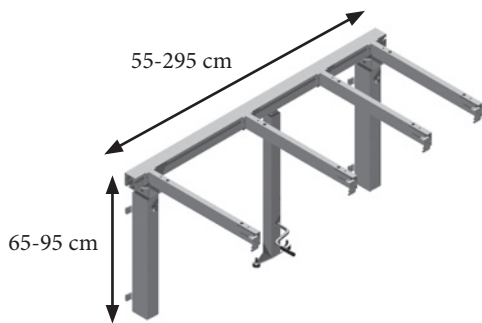
The FlexiBasic system can be adjusted between standing  
and seated users as the person's needs may change.



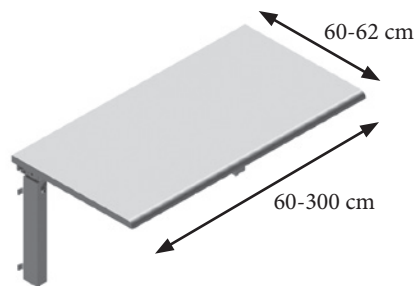
# FLEXIBASIC

Max. load: 150 kg evenly distributed  
 Height: 65-95 cm  
 Length: 60-300 cm  
 Colour: RAL 9010

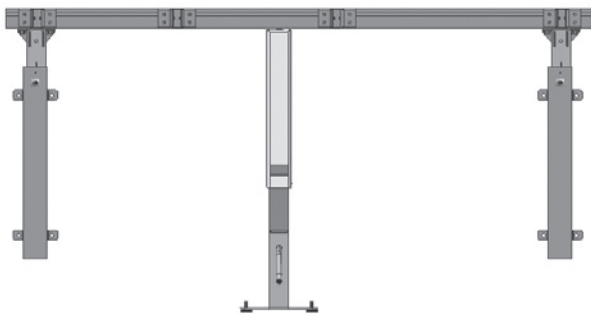
FlexiBasic – frame for worktop with lift unit



FlexiBasic – frame including worktop



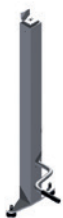
MODELS/ITEM	30-63060/ 30-63100	30-63105/ 30-63150	30-63155/ 30-63200	30-63205/ 30-63250	30-63255/ 30-63300
LENGTH OF WORKTOP	60-100 cm	105-150 cm	155-200 cm	205-250 cm	255-300 cm



FlexiBasic – viewed from front with lift unit

## ACCESSORIES

Lift unit  
30-63402



Cover for installation  
30-67635



### Tips:

- Leg and tabletop support arms can be moved sideways leaving space for various inset hobs or sinks.
- Use fascia panels of 6-8 cm under the tabletop in order to hide the tabletop support arms.

ROPOX A/S · RINGSTEDGADE 221 · 4700 NÆSTVED, DENMARK  
 PHONE: +45 5575 0500 · INFO@ROPOX.DK · WWW.ROPOX.COM

**ROPOX**<sup>TM</sup>  
 BETTER WAYS TO BETTER DAYS

The items are produced according to the following Directives and Standards: DS/EN 12182 – 2012.